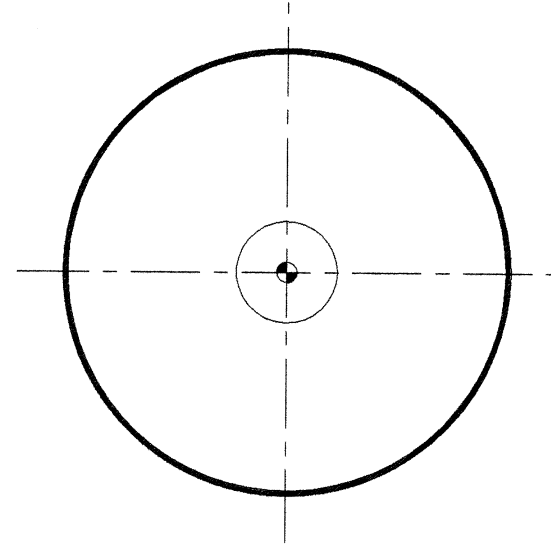
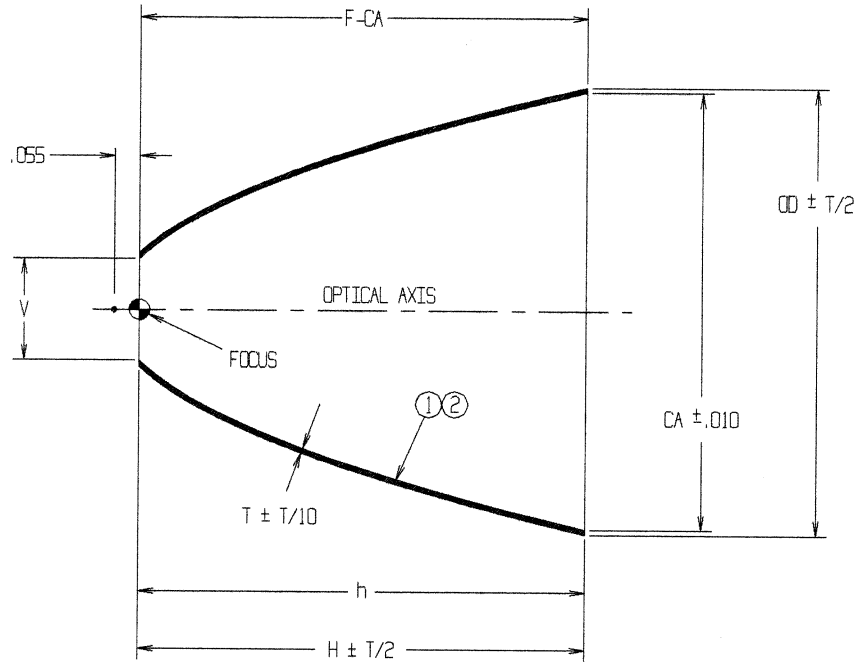


ALL CONCEPTS CONTAINED WITHIN THIS DRAWING ARE PROPRIETARY TO PHOENIX ELECTROFORMED PRODUCTS, INC.
AND MAY NOT BE CONVEYED TO THIRD PARTIES WITHOUT WRITTEN CONSENT

REVISIONS			
ZONE	REV	DESCRIPTION	DATE



- ① SURFACE FINISH 80-50 SCRATCH-DIG PER MIL-D-13830A
- ② AVAILABLE REFLECTIVE ENHANCEMENT COATINGS:
- AU1 VACUUM DEPOSITED GOLD
- AG VACUUM DEPOSITED SILVER
- AF VACUUM DEPOSITED ALUMINUM / MAGNESIUM FLUORIDE (MgF₂) OVERCOAT
- AD VACUUM DEPOSITED ALUMINUM / QUARTZ (SiO₂) OVERCOAT
- DCC DICHROIC COOLD COATING
- RH ELECTRO-DEPOSITED BRIGHT RHODIUM

NOTE: FP= VERTEX APERTURE PARALLEL TO FOCAL PLANE
P= VERTEX APERTURE PARALLEL TO OPTICAL AXIS

.5	.220	1.500	1.540	2.502	2.502	.020	2.502	FP
.4	.400	1.500	1.540	2.415	2.375	.020	2.502	FP
.3	.220	1.073	1.103	1.251	1.251	.015	1.251	FP
.2	.236	.705	.726	.501	.501	.010	.501	P
.1	.220	.705	.726	.510	.510	.010	.510	FP
#	V	CA	OD	H	h	T	F-CA	NOTE

PARABOLIC EQUATION
 $Y^2=4FX$ $f=.055$

<small>UNLESS OTHERWISE SPECIFIED DIMENSIONS ARE IN INCHES TOLERANCES ARE:</small> FINISHES: $\frac{1}{16}$ DECIMALS $\frac{1}{32}$ ANGLES $\frac{1}{2}$ DEG		MATERIAL: LSSN CONTRACT NO:		PHOENIX ELECTROFORMED PRODUCTS, INC.	
FINISH: ES ✓ <small>UNLESS OTHERWISE SPECIFIED</small>		APPROVALS: _____ DATE: _____ DRAWN: LB DATE: 1-6-11		TITLE: PARABOLIC REFLECTOR PA12	
DO NOT SCALE DRAWING		ENGR: _____ DESIGN ACTIVITY: _____		SIZE: _____ CAGE CODE: _____ DWG NO: PA12R REV: _____ SCALE: _____ SHEET: _____	