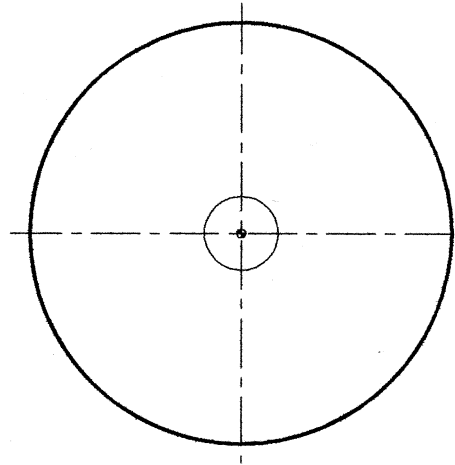
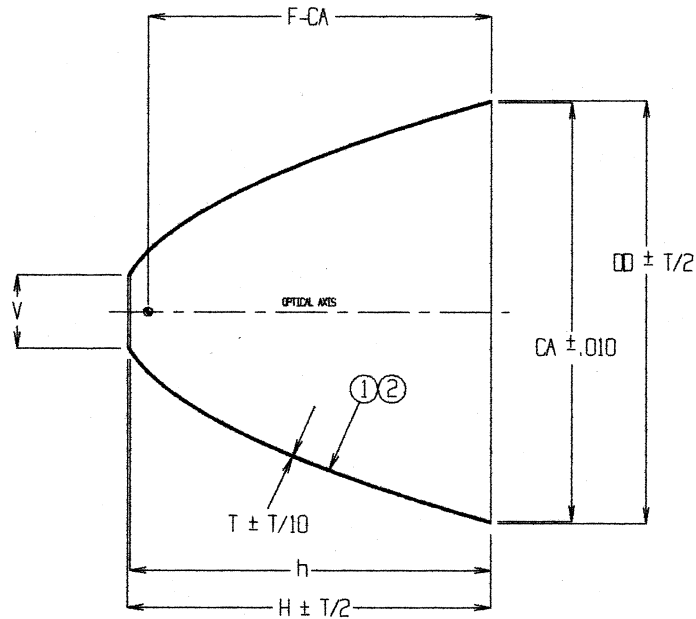


ALL CONCEPTS CONTAINED WITHIN THIS DRAWING ARE PROPRIETARY TO PHOENIX ELECTROFORMED PRODUCTS, INC.  
AND MAY NOT BE CONVEYED TO THIRD PARTIES WITHOUT WRITTEN CONSENT

REVISIONS			
ZONE	REV	DESCRIPTION	DATE



- ① SURFACE FINISH 80-50 SCRATCH-DIG PER MIL-D-13830A
- ② AVAILABLE REFLECTIVE ENHANCEMENT COATINGS:
  - AU1 VACUUM DEPOSITED GOLD
  - AU2 ELECTRO-DEPOSITED GOLD
  - AG VACUUM DEPOSITED SILVER
  - AF VACUUM DEPOSITED ALUMINUM / MAGNESIUM FLUORIDE (MgF2) OVERCOAT
  - AO VACUUM DEPOSITED ALUMINUM / QUARTZ (SiO2) OVERCOAT
  - DCC DICHROIC COOLD COATING
  - RH ELECTRO-DEPOSITED BRIGHT RHODIUM

.9	.500	3.850	3.904	2.303	2.277	.025	1.916
.8	.625	3.460	3.515	1.836	1.809	.025	1.470
.7	.375	3.579	3.634	2.005	1.979	.025	1.601
.6	.875	3.500	3.555	1.823	1.794	.025	1.514
.5	1.000	5.677	5.729	4.909	4.879	.025	4.636
.4	.875	4.900	4.953	3.660	3.632	.025	3.352
.3	.625	4.900	4.953	3.717	3.691	.025	3.352
.2	.375	4.750	4.803	3.529	3.503	.025	3.125
.1	.470	4.725	4.778	3.480	3.454	.025	3.088
#	V	CA	OD	H	h	T	F-CA

PARABOLIC EQUATION  
 $Y^2 = 4FX$      $F = .400$

<small>UNLESS OTHERWISE SPECIFIED DIMENSIONS ARE IN INCHES FRACTIONS DECIMALS MILLIMETERS</small> <small>1/16 1/32 3/64 1/8 3/16 1/4 5/16 3/8 7/16 1/2 5/8 3/4 7/8 1 1 1/8 1 1/4 1 3/8 1 1/2 1 5/8 2 2 1/8 2 1/4 2 3/8 2 1/2 2 5/8 3 3 1/8 3 1/4 3 3/8 3 1/2 3 5/8 4 4 1/8 4 1/4 4 3/8 4 1/2 4 5/8 5 5 1/8 5 1/4 5 3/8 5 1/2 5 5/8 6 6 1/8 6 1/4 6 3/8 6 1/2 6 5/8 7 7 1/8 7 1/4 7 3/8 7 1/2 7 5/8 8 8 1/8 8 1/4 8 3/8 8 1/2 8 5/8 9 9 1/8 9 1/4 9 3/8 9 1/2 9 5/8 10 10 1/8 10 1/4 10 3/8 10 1/2 10 5/8 12 12 1/8 12 1/4 12 3/8 12 1/2 12 5/8 14 14 1/8 14 1/4 14 3/8 14 1/2 14 5/8 16 16 1/8 16 1/4 16 3/8 16 1/2 16 5/8 18 18 1/8 18 1/4 18 3/8 18 1/2 18 5/8 20 20 1/8 20 1/4 20 3/8 20 1/2 20 5/8 24 24 1/8 24 1/4 24 3/8 24 1/2 24 5/8 28 28 1/8 28 1/4 28 3/8 28 1/2 28 5/8 32 32 1/8 32 1/4 32 3/8 32 1/2 32 5/8 36 36 1/8 36 1/4 36 3/8 36 1/2 36 5/8 40 40 1/8 40 1/4 40 3/8 40 1/2 40 5/8 45 45 1/8 45 1/4 45 3/8 45 1/2 45 5/8 50 50 1/8 50 1/4 50 3/8 50 1/2 50 5/8 56 56 1/8 56 1/4 56 3/8 56 1/2 56 5/8 60 60 1/8 60 1/4 60 3/8 60 1/2 60 5/8 64 64 1/8 64 1/4 64 3/8 64 1/2 64 5/8 72 72 1/8 72 1/4 72 3/8 72 1/2 72 5/8 80 80 1/8 80 1/4 80 3/8 80 1/2 80 5/8 90 90 1/8 90 1/4 90 3/8 90 1/2 90 5/8 100 100 1/8 100 1/4 100 3/8 100 1/2 100 5/8 120 120 1/8 120 1/4 120 3/8 120 1/2 120 5/8 140 140 1/8 140 1/4 140 3/8 140 1/2 140 5/8 160 160 1/8 160 1/4 160 3/8 160 1/2 160 5/8 180 180 1/8 180 1/4 180 3/8 180 1/2 180 5/8 200 200 1/8 200 1/4 200 3/8 200 1/2 200 5/8 240 240 1/8 240 1/4 240 3/8 240 1/2 240 5/8 280 280 1/8 280 1/4 280 3/8 280 1/2 280 5/8 320 320 1/8 320 1/4 320 3/8 320 1/2 320 5/8 360 360 1/8 360 1/4 360 3/8 360 1/2 360 5/8 400 400 1/8 400 1/4 400 3/8 400 1/2 400 5/8 450 450 1/8 450 1/4 450 3/8 450 1/2 450 5/8 500 500 1/8 500 1/4 500 3/8 500 1/2 500 5/8 560 560 1/8 560 1/4 560 3/8 560 1/2 560 5/8 600 600 1/8 600 1/4 600 3/8 600 1/2 600 5/8 640 640 1/8 640 1/4 640 3/8 640 1/2 640 5/8 720 720 1/8 720 1/4 720 3/8 720 1/2 720 5/8 800 800 1/8 800 1/4 800 3/8 800 1/2 800 5/8 900 900 1/8 900 1/4 900 3/8 900 1/2 900 5/8 1000 1000 1/8 1000 1/4 1000 3/8 1000 1/2 1000 5/8</small>	<small>MATERIAL</small> ELECTROFORMED LSEN	<b>PHOENIX</b> ELECTROFORMED PRODUCTS, INC.
	<small>FINISH</small> 63 ✓ <small>UNLESS OTHERWISE SPECIFIED</small>	
<small>DO NOT SCALE DRAWING</small>	<small>SCALE</small>	<small>SIZE</small> <small>CAGE CODE</small> <small>DWG NO</small> PA2 <small>REV</small> SHEET