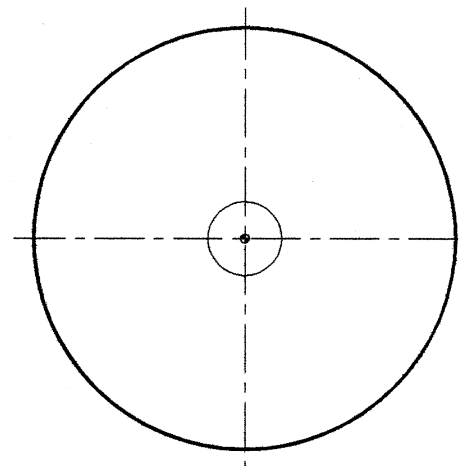
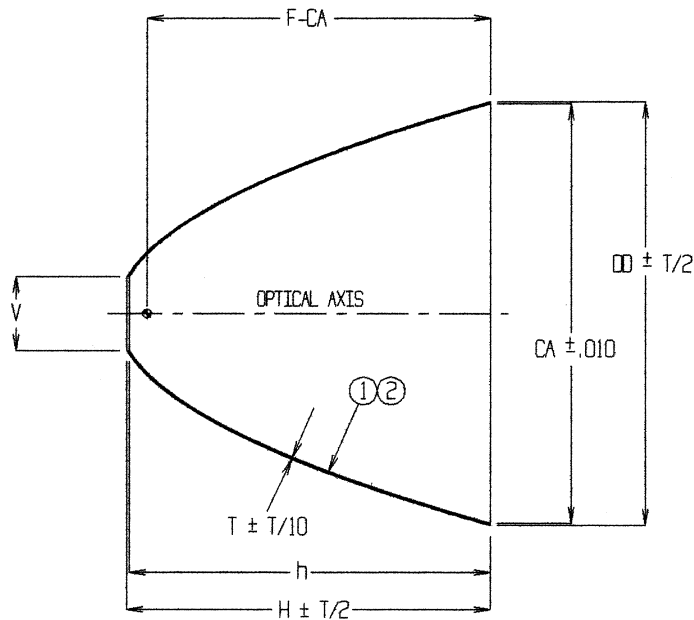


ALL CONCEPTS CONTAINED WITHIN THIS DRAWING ARE PROPRIETARY TO PHOENIX ELECTROFORMED PRODUCTS, INC.  
AND MAY NOT BE CONVEYED TO THIRD PARTIES WITHOUT WRITTEN CONSENT

REVISIONS			
ZONE	REV	DESCRIPTION	APPROVED



NOTE: FP= VERTEX APERTURE PARALLEL TO FOCAL PLANE

P= VERTEX APERTURE PARALLEL TO OPTICAL AXIS

.13	.700	3.150	3.202	2.948	2.948	.025	2.901	FP
.12	.600	2.247	2.300	1.465	1.465	.025	1.378	FP
.11	.380	1.920	1.963	1.129	1.107	.020	.952	P
.10	.500	2.850	2.902	2.469	2.460	.025	2.338	P
.9	.500	3.000	3.052	2.764	2.734	.025	2.613	P
.8	.375	3.000	3.052	2.796	2.769	.025	2.613	P
.7	.250	3.000	3.052	2.819	2.793	.025	2.613	P
.6	.500	2.500	2.552	1.904	1.875	.025	1.753	P
.5	.375	2.500	2.552	1.937	1.909	.025	1.753	P
.4	.250	2.500	2.552	1.960	1.934	.025	1.753	P
.3	.500	2.000	2.054	1.201	1.172	.025	1.050	P
.2	.375	2.000	2.054	1.234	1.206	.025	1.050	P
.1	.250	2.000	2.054	1.257	1.230	.025	1.050	P
#	V	CA	∅	H	h	T	F-CA	NOTE

① SURFACE FINISH 80-50 SCRATCH-DIG PER MIL-D-13830A

② AVAILABLE REFLECTIVE ENHANCEMENT COATINGS:

AU1 VACUUM DEPOSITED GOLD

AU2 ELECTRO-DEPOSITED GOLD

AG VACUUM DEPOSITED SILVER

AF VACUUM DEPOSITED ALUMINUM / MAGNESIUM FLUORIDE (MgF<sub>2</sub>) OVERCOAT

AD VACUUM DEPOSITED ALUMINUM / QUARTZ (SiO<sub>2</sub>) OVERCOAT

DCC DICHROIC COOLD COATING

RH ELECTRO-DEPOSITED BRIGHT RHODIUM

PARABOLIC EQUATION

$$Y^2 = 4FX \quad F = .200$$

<small>UNLESS OTHERWISE SPECIFIED DIMENSIONS ARE IN INCHES TOLERANCES ARE:</small> FRACTIONS .1/16 .001/16 .001/16 DECIMALS .001/16 .001/16 .001/16 ANGLES .001/16 .001/16 .001/16	MATERIAL ELECTROFORMED LSN	<b>PHOENIX</b> ELECTROFORMED PRODUCTS, INC.
	CONTRACT NO.	
FINISH ES ✓ <small>UNLESS OTHERWISE SPECIFIED</small>	APPROVALS DRAWN LB DATE 2-13-08	SIZE (CAGE CODE) DWG NO PA1
DO NOT SCALE DRAWING	CHECKED ENGR DESIGN ACTIVITY	SCALE SHEET