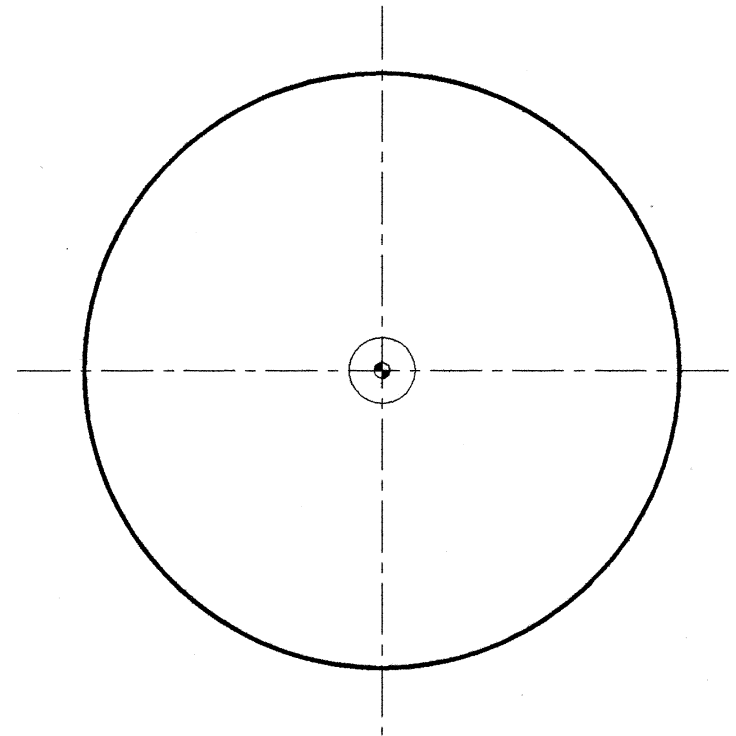
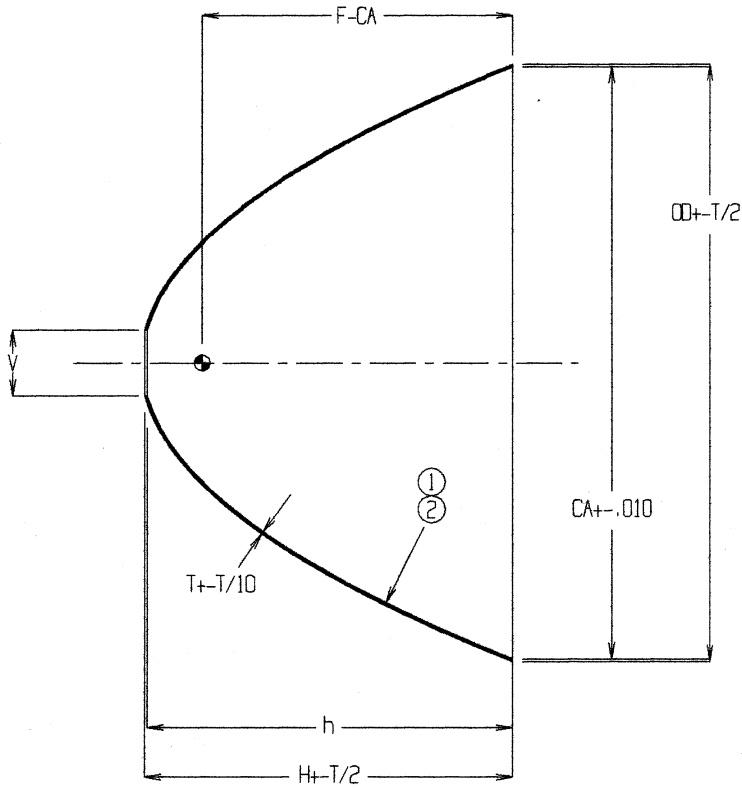


ALL CONCEPTS CONTAINED WITHIN THIS DRAWING ARE PROPRIETARY TO PHOENIX ELECTROFORMED PRODUCTS, INC.  
AND MAY NOT BE CONVEYED TO THIRD PARTIES WITHOUT WRITTEN CONSENT

REVISIONS				
ZONE	REV	DESCRIPTION	DATE	APPROVED



- ① SURFACE FINISH 80-50 SCRATCH-DIG PER MIL-D-13830A
- ② AVAILABLE REFLECTIVE ENHANCEMENT COATINGS:
  - AU1 VACUUM DEPOSITED GOLD
  - AU2 ELECTRO-DEPOSITED GOLD
  - AG VACUUM DEPOSITED SILVER
  - AF VACUUM DEPOSITED ALUMINUM / MAGNESIUM FLUORIDE (MgF<sub>2</sub>) OVERCOAT
  - AD VACUUM DEPOSITED ALUMINUM / QUARTZ (SiO<sub>2</sub>) OVERCOAT
  - DCC DICHOIC COLO COATING
  - RH ELECTRO-DEPOSITED BRIGHT RHODIUM

.10	2.250	9.000	9.086	5.320	5.273	.040	4.725
.9	2.000	9.000	9.086	5.399	5.347	.040	4.725
.8	1.750	9.000	9.086	5.457	5.412	.040	4.725
.7	1.250	9.000	9.086	5.559	5.516	.040	4.725
.6	1.000	9.000	9.086	5.597	5.556	.040	4.725
.5	2.000	7.000	7.090	3.171	3.125	.040	2.503
.4	1.750	7.000	7.090	3.234	3.190	.040	2.503
.3	1.250	7.000	7.090	3.337	3.294	.040	2.503
.2	1.000	7.000	7.090	3.375	3.333	.040	2.503
.1	2.250	7.000	7.090	3.098	3.051	.040	2.503
#	V	CA	OD	H	h	T	F-CA

PARABOLIC EQUATION  
 $Y^2=4FX$      $F=.900$

UNLESS OTHERWISE SPECIFIED DIMENSIONS ARE IN INCHES TOLERANCES ARE: FRACTIONS .0015 DECIMALS .0005 ANGLES .125		MATERIAL LSSN	<b>PHOENIX</b> ELECTROFORMED PRODUCTS, INC.	
FINISH ES ✓ UNLESS OTHERWISE SPECIFIED	CONTRACT NO.	TITLE PARABOLIC REFLECTOR		
APPROVALS	DATE	PART NO. PAS		
DRAWN LB	12-13-07	SIZE	CAGE CODE	
CHECKED		DWG NO.	PAS	
ENGR		SCALE	SHEET	
DESIGN ACTIVITY				
DO NOT SCALE DRAWING				