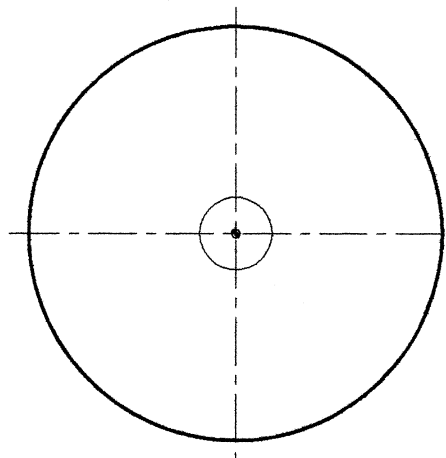
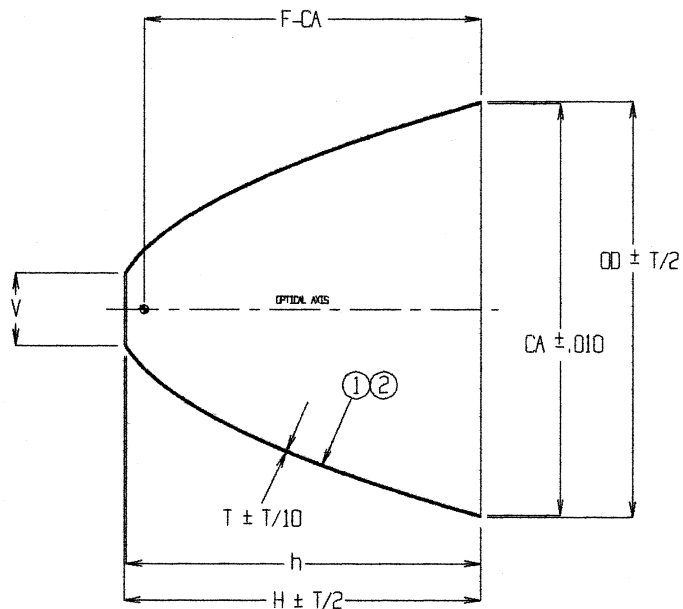


ALL CONCEPTS CONTAINED WITHIN THIS DRAWING ARE PROPRIETARY TO PHOENIX ELECTROFORMED PRODUCTS, INC.
AND MAY NOT BE CONVEYED TO THIRD PARTIES WITHOUT WRITTEN CONSENT

REVISIONS				
NO	REV	DESCRIPTION	DATE	APPROVED



.11	.380	1.920	1.963	1.129	1.107	.020	.952
.10	.500	2.850	2.902	2.489	2.460	.025	2.338
.9	.500	3.000	3.052	2.764	2.734	.025	2.613
.8	.375	3.000	3.052	2.796	2.769	.025	2.613
.7	.250	3.000	3.052	2.819	2.793	.025	2.613
.6	.500	2.500	2.552	1.904	1.875	.025	1.753
.5	.375	2.500	2.552	1.937	1.909	.025	1.753
.4	.250	2.500	2.552	1.960	1.934	.025	1.753
.3	.500	2.000	2.054	1.201	1.172	.025	1.050
.2	.375	2.000	2.054	1.234	1.206	.025	1.050
.1	.250	2.000	2.054	1.257	1.230	.025	1.050
#	V	CA	OD	H	h	T	F-CA

- ① SURFACE FINISH 80-50 SCRATCH-DIG PER MIL-D-13830A
 ② AVAILABLE REFLECTIVE ENHANCEMENT COATINGS:
 AU1 VACUUM DEPOSITED GOLD
 AU2 ELECTRO-DEPOSITED GOLD
 AG VACUUM DEPOSITED SILVER
 AF VACUUM DEPOSITED ALUMINUM / MAGNESIUM FLUORIDE (MgF₂) OVERCOAT
 AD VACUUM DEPOSITED ALUMINUM / QUARTZ (SiO₂) OVERCOAT
 DCC DICHROIC GOLD COATING
 RH ELECTRO-DEPOSITED BRIGHT RHODIUM

PARABOLIC EQUATION

$$Y^2 = 4FX$$

$$F = .200$$

<small>UNLESS OTHERWISE SPECIFIED DIMENSIONS ARE IN INCHES FRACTIONS DECIMALS MILLIS 1/16 3/32 1/8 1/4 3/8 1/2 5/8 3/4 7/8 1</small>		MFG. ELECTROFORMED LSEN		PHOENIX ELECTROFORMED PRODUCTS, INC.	
FINISH 63 ✓ UNLESS OTHERWISE SPECIFIED		CONTRACT NO.		TITLE PARABOLIC REFLECTOR PA1	
CHECKED		APPROVALS DATE LB 2-13-08		SIZE CAGE CODE DWG NO PA1 REV	
DO NOT SCALE DRAWING		DESIGN ACTIVITY		SCALE SHEET	