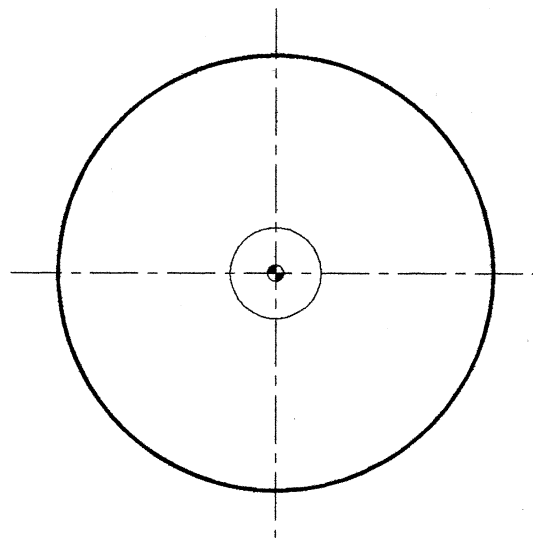
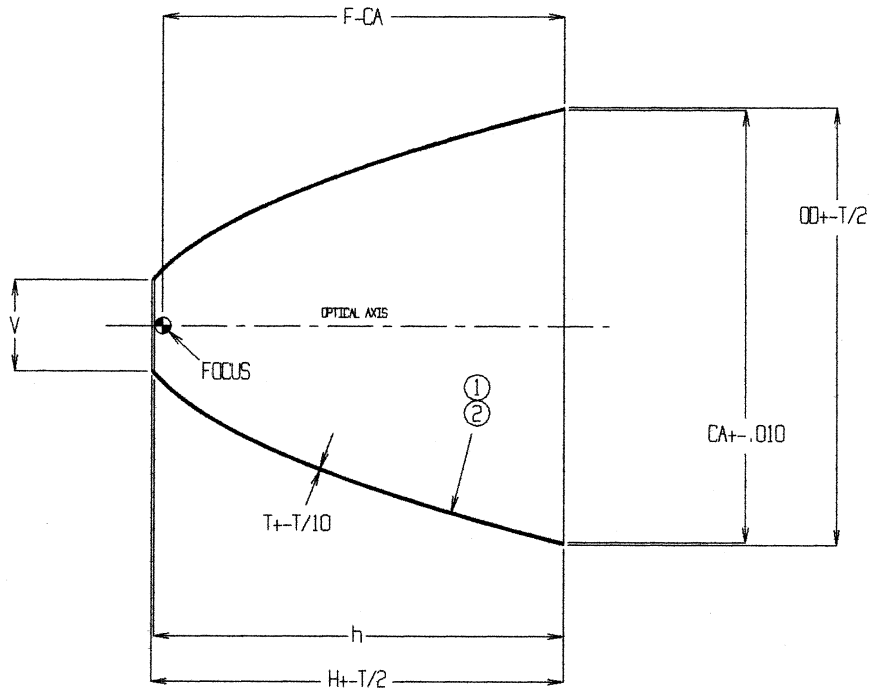


ALL CONCEPTS CONTAINED WITHIN THIS DRAWING ARE PROPRIETARY TO PHOENIX ELECTROFORMED PRODUCTS, INC.
AND MAY NOT BE CONVEYED TO THIRD PARTIES WITHOUT WRITTEN CONSENT

REVISIONS				
ZONE	REV	DESCRIPTION	DATE	APPROVED



- ① SURFACE FINISH 80-50 SCRATCH-DIG PER MIL-D-13830A
- ② AVAILABLE REFLECTIVE ENHANCEMENT COATINGS:
- AU1 VACUUM DEPOSITED GOLD
- AU2 ELECTRO-DEPOSITED GOLD
- AG VACUUM DEPOSITED SILVER
- AF VACUUM DEPOSITED ALUMINUM / MAGNESIUM FLUORIDE (MgF2) OVERCOAT
- AD VACUUM DEPOSITED ALUMINUM / QUARTZ (SiO2) OVERCOAT
- DCD DICHROIC COLO COATING
- RH ELECTRO-DEPOSITED BRIGHT RHODIUM

.8	1.000	3.850	3.902	2.912	2.880	.025	2.788
.7	.750	3.850	3.902	3.000	2.971	.025	2.788
.6	.625	3.850	3.902	3.035	3.007	.025	2.788
.5	.375	3.850	3.902	3.065	3.059	.025	2.788
.4	1.000	4.750	4.802	4.525	4.492	.025	4.401
.3	.750	4.750	4.802	4.613	4.583	.025	4.401
.2	.500	3.850	3.902	3.063	3.036	.025	2.788
.1	.400	4.750	4.802	4.694	4.667	.025	4.401
#	V	CA	OD	H	h	T	F-CA

PARABOLIC EQUATION
 $Y^2 = 4FX$ $F = .300$

UNLESS OTHERWISE SPECIFIED DIMENSIONS ARE IN INCHES TOLERANCES ARE: FRACTIONS .015 DECIMALS .001 ANGLES .125		MATERIAL LSSN		PHOENIX ELECTROFORMED PRODUCTS, INC.	
FINISH 63 ✓ UNLESS OTHERWISE SPECIFIED		CONTRACT NO.			
DO NOT SCALE DRAWING		APPROVALS DRAWN LB	DATE 5-22-09	TITLE PARABOLIC REFLECTOR PA10	
		CHECKED	ENGR	DESIGN ACTIVITY	SCALE
SIZE	CAGE CODE	DWG NO	PA10	REV	
				SHEET	