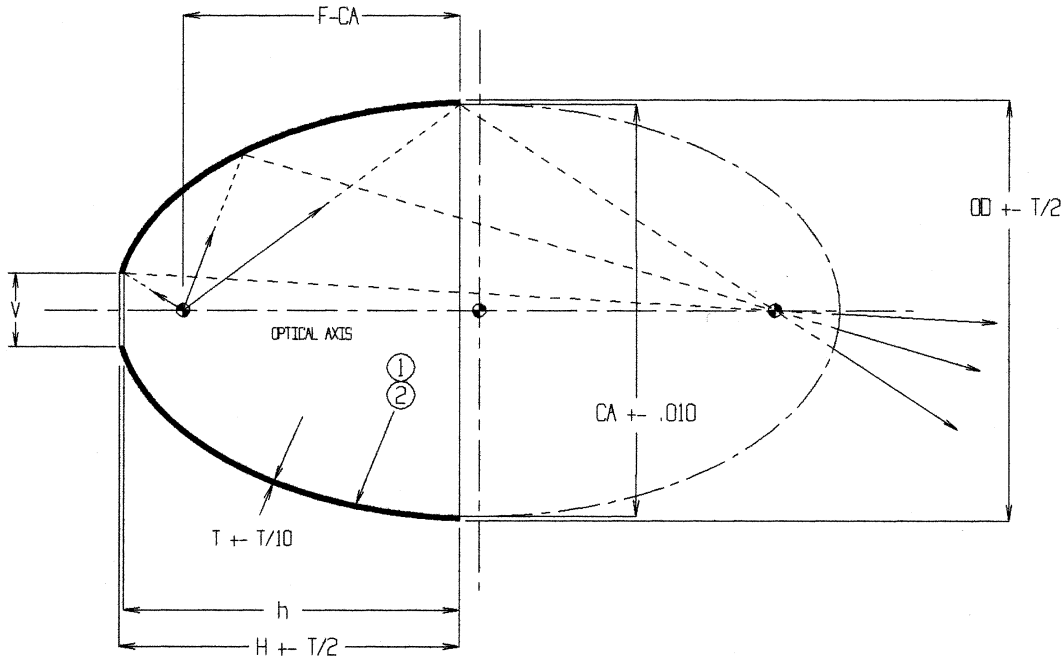


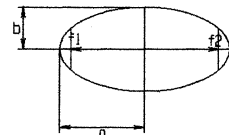
ALL CONCEPTS CONTAINED WITHIN THIS DRAWING ARE PROPRIETARY TO PHOENIX ELECTROFORMED PRODUCTS, INC.
AND MAY NOT BE CONVEYED TO THIRD PARTIES WITHOUT WRITTEN CONSENT

REVISIONS				
ZONE	REV	DESCRIPTION	DATE	APPROVED



.12	1.000	2.645	2.706	1.546	1.510	.030	1.234
.11	.750	2.645	2.706	1.616	1.583	.030	1.234
.10	.625	2.645	2.706	1.643	1.610	.030	1.234
.09	.500	2.645	2.706	1.665	1.633	.030	1.234
.08	.375	2.645	2.706	1.681	1.650	.030	1.234
.07	.250	2.645	2.706	1.693	1.663	.030	1.234
.06	1.000	2.782	2.842	2.186	2.150	.030	1.870
.05	.750	2.782	2.842	2.256	2.222	.030	1.870
.04	.625	2.782	2.842	2.289	2.250	.030	1.870
.03	.500	2.782	2.842	2.304	2.273	.030	1.870
.02	.375	2.782	2.842	2.321	2.290	.030	1.870
.01	.250	2.782	2.842	2.333	2.303	.030	1.870
#	V	CA	OD	H	h	T	F-CA

- ① SURFACE FINISH 80-50 SCRATCH-DIG PER MIL-D-13830A
 ② AVAILABLE REFLECTIVE ENHANCEMENT COATINGS:
 AU1 VACUUM DEPOSITED GOLD
 AU2 ELECTRO-DEPOSITED GOLD
 AG VACUUM DEPOSITED SILVER
 AF VACUUM DEPOSITED ALUMINUM / MAGNESIUM FLUORIDE (MgF₂) OVERCOAT
 AD VACUUM DEPOSITED ALUMINUM / QUARTZ (SiO₂) OVERCOAT
 DCC DICHROIC COLO COATING
 RH ELECTRO-DEPOSITED BRIGHT RHODIUM



ELLIPSE EQUATION
 $\frac{X^2}{a^2} + \frac{Y^2}{b^2} = 1$
 $a = 2.437300$
 $b = 1.392994$
 $F = .4373$
 $F1-F2 = 4.0000$

UNLESS OTHERWISE SPECIFIED DIMENSIONS ARE IN INCHES TOLERANCES ARE: FRACTIONS .XX ± .005 DECIMALS .XX ± .005 XXX ± .005	INTERVAL LSSN	PHOENIX ELECTROFORMED PRODUCTS, INC.	
FINISH 63 ✓ UNLESS OTHERWISE SPECIFIED	CONTRACT NO.	TITLE ELLIPTICAL REFLECTOR EL2	
DO NOT SCALE DRAWING	APPROVALS DRAWN LB CHECKED ENGR DESIGN ACTIVITY	DATE 5-5-09	SCALE SHEET
		SIZE CAGE CODE	DWG NO EL2