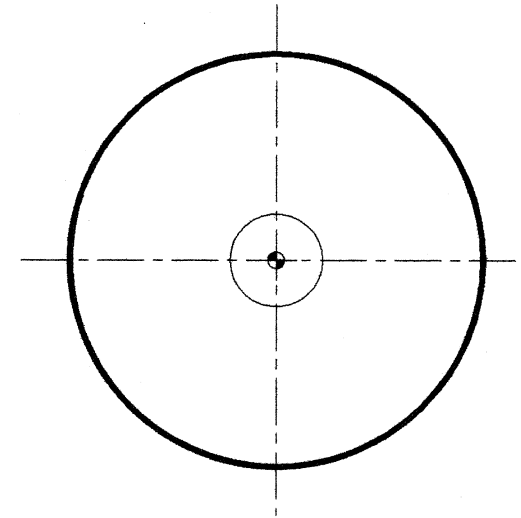
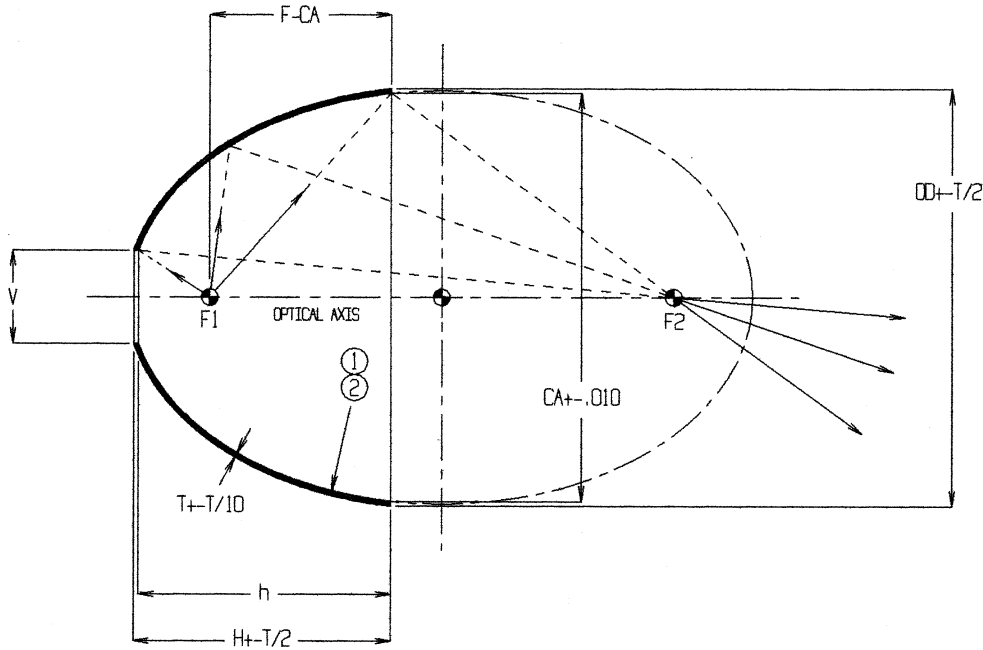


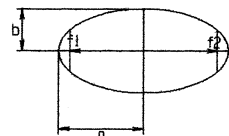
ALL CONCEPTS CONTAINED WITHIN THIS DRAWING ARE PROPRIETARY TO PHOENIX ELECTROFORMED PRODUCTS, INC.
AND MAY NOT BE LOANED TO THIRD PARTIES WITHOUT WRITTEN CONSENT

| REVISIONS | | | | |
|-----------|-----|-------------|------|----------|
| ZONE | REV | DESCRIPTION | DATE | APPROVED |
| | | | | |



| | | | | | | | |
|-----|-------|-------|-------|-------|-------|------|------|
| .10 | 1.000 | 1.850 | 1.905 | .593 | .562 | .025 | .315 |
| .9 | .750 | 1.850 | 1.905 | .670 | .642 | .025 | .315 |
| .8 | .625 | 1.850 | 1.905 | .700 | .673 | .025 | .315 |
| .7 | .500 | 1.850 | 1.905 | .724 | .697 | .025 | .315 |
| .6 | .250 | 1.850 | 1.905 | .755 | .729 | .025 | .315 |
| .5 | 1.000 | 2.200 | 2.250 | 1.255 | 1.223 | .025 | .976 |
| .4 | .750 | 2.200 | 2.250 | 1.332 | 1.304 | .025 | .976 |
| .3 | .625 | 2.200 | 2.250 | 1.361 | 1.334 | .025 | .976 |
| .2 | .500 | 2.200 | 2.250 | 1.365 | 1.359 | .025 | .976 |
| .1 | .250 | 2.200 | 2.250 | 1.416 | 1.391 | .025 | .976 |
| # | V | CA | OD | H | h | T | F-CA |

- ① SURFACE FINISH 80-50 SCRATCH-DIG PER MIL-D-13830A
 ② AVAILABLE REFLECTIVE ENHANCEMENT COATINGS:
 AU1 VACUUM DEPOSITED GOLD
 AU2 ELECTRO-DEPOSITED GOLD
 AG VACUUM DEPOSITED SILVER
 AF VACUUM DEPOSITED ALUMINUM / MAGNESIUM FLUORIDE (MgF2) OVERCOAT
 AO VACUUM DEPOSITED ALUMINUM / QUARTZ (SiO2) OVERCOAT
 DCC DICHROIC COLO COATING
 RH ELECTRO-DEPOSITED BRIGHT RHODIUM



ELLIPSE EQUATION
 $\frac{X^2}{a^2} + \frac{Y^2}{b^2} = 1$
 $a = 1.675000$
 $b = 1.114955$
 $F = 4.250$
 $F1-F2 = 2.5000$

| | | | |
|---|---|--|------------------------------|
| UNLESS OTHERWISE SPECIFIED DIMENSIONS ARE IN INCHES TOLERANCES ARE: FRACTIONS .XX ✓ .1/16 DECIMALS .XX ✓ .02 ANGLES .XX ✓ .1/2 DEG | MATERIAL LSSN | PHOENIX ELECTROFORMED PRODUCTS, INC. | |
| FINISH 63 ✓ UNLESS OTHERWISE SPECIFIED | CONTRACT NO. | TITLE ELLIPTICAL REFLECTOR | |
| DO NOT SCALE DRAWING | APPROVALS DRAWN LB CHECKED ENGR DESIGN ACTIVITY | DATE 5-28-69 | SIZE CASE CODE DWG NO EL1 |
| | | SCALE | SHEET |